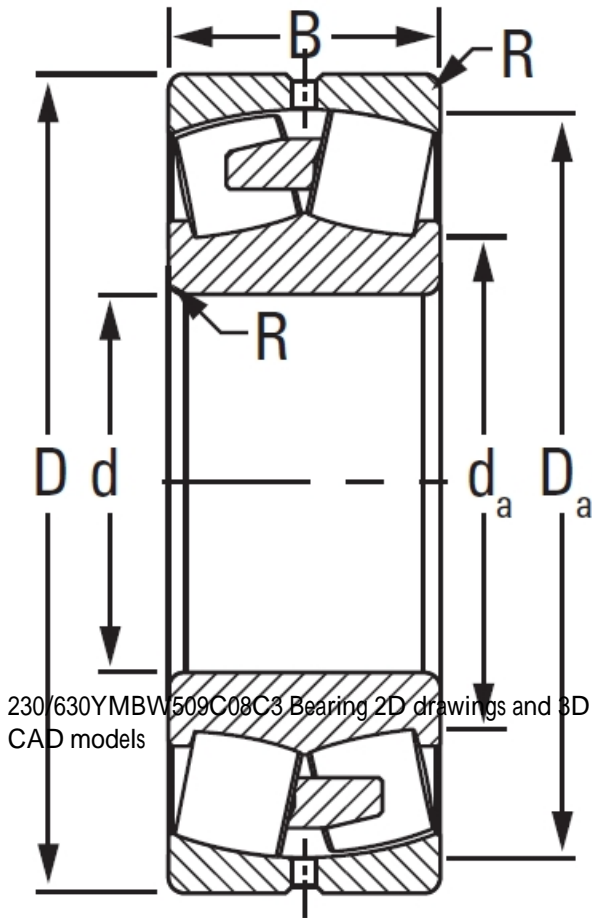


230/630YMBW509C08C3 TIMKEN Full Complement Cylindrical Roller Radial Bearings

Bearing No. 230/630YMBW509C08C3



230/630YMBW509C08C3 Bearing 2D drawings and 3D CAD models

Design Unit	METRIC
Bearing Weight	477.200 Kg
Cage Type	YMB
UPC Code	087796200395
Cage Material	Brass
d	630.000 mm
D	920.000 mm
B - Inner Ring Width	212 mm
B - Outer Ring Width	212.000 mm
R - Inner Ring To Clear Radius ¹	6.000 mm
r - Outer Ring To Clear Radius ²	6.000 mm
da - Inner Ring Backing Diameter	697.000 mm
Da - Outer Ring Backing Diameter	858.000 mm
C0 - Static Radial Rating	13400000 N
C1(2) - Dynamic Radial Rating (Two-Rows)	6940000 N
e - ISO Factor ³	0.21
Y0 - ISO Factor ⁴	3.18
Y1 - ISO Factor ⁵	4.74
Y2 - ISO Factor ⁶	3.11
Reference Thermal Speed Rating (Grease)	370
Reference Thermal Speed Rating (Oil) ⁷	420



AGM Tech Ltd.

Cg - Geometry Factor ⁸	0.1204
-----------------------------------	--------